



PRODUCT DATASHEET

Linnea series

last update 9/6/2017

DETAILS

Product Number	F15860_LINNEA-Z2T25
Family	Linnea
Type	Lens
Color	clear
Diameter	285x40 mm
Height	10,3 mm
Style	rectang
Optic Material	PC
Holder Material	
Fastening	clips
Status	sample approved
ROHS Compliant	Yes
Date Updated	9/06/2017



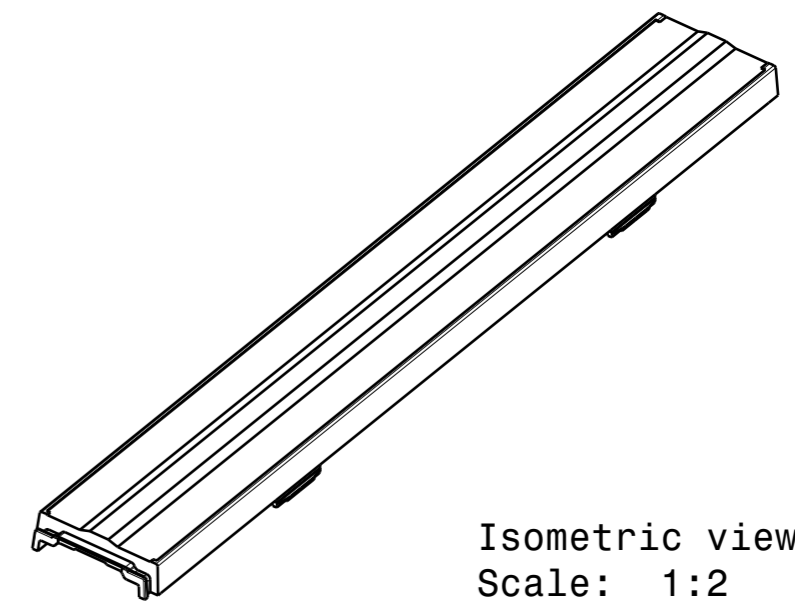
OPTICAL PROPERTIES

LED	Viewing Angle	Light Beam	Efficiency	cd/lm	Connector
NF2x757G	sim: Asymmetric		sim: 87 %	sim: 0.540	-
LM561B Plus	Asymmetric deg		87 %	0.480	-

H G F E D C B A

4

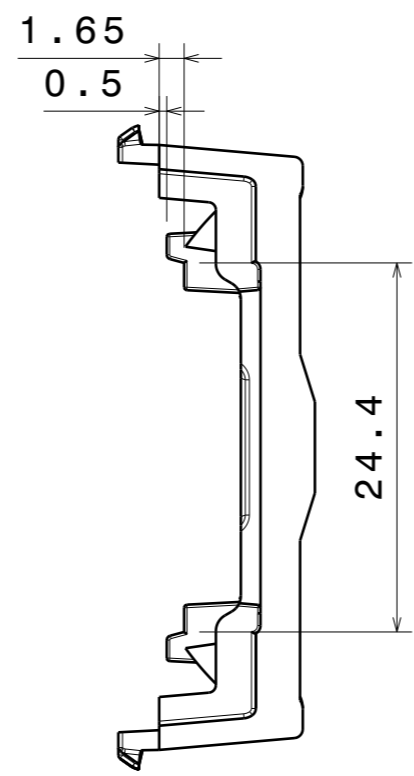
4



Isometric view
Scale: 1:2

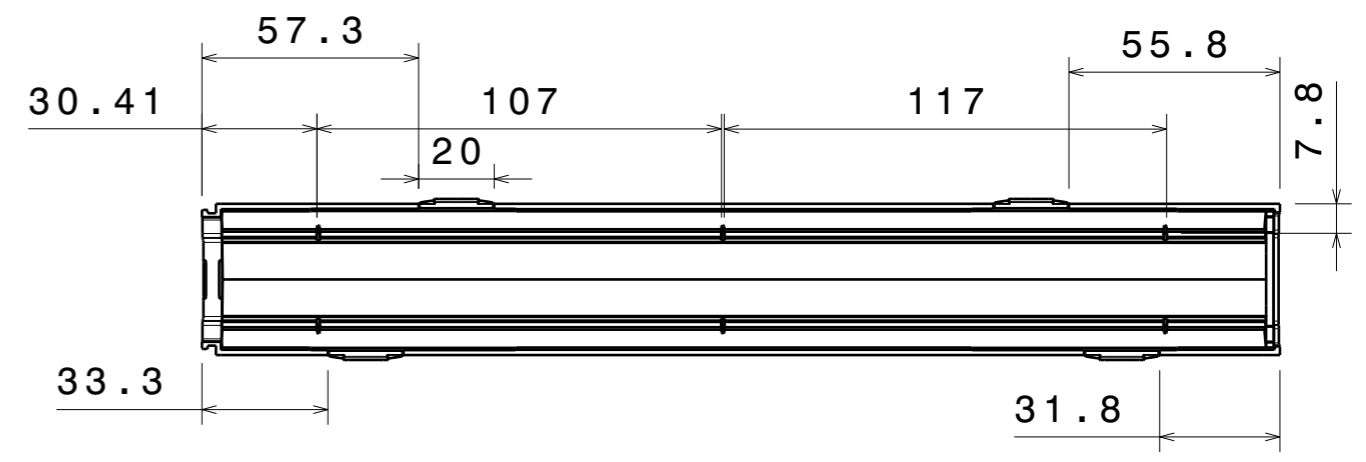
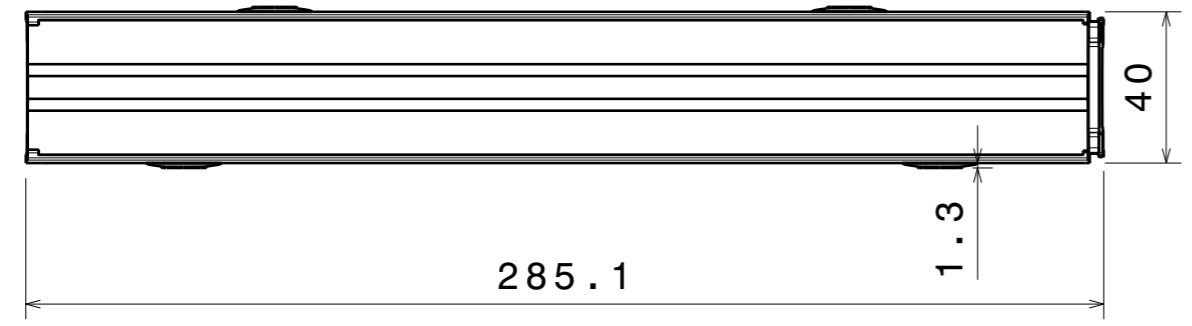
3

3



2

2



1

1

INDEX	PART NO	DESCRIPTION	MATERIAL	COLOUR
1	F15860	LINNEA-Z2T25	PC	clear

Tolerances if not otherwise shown
According to DIN ISO 2768-1
Linear measures:
Up to 30mm class M, otherwise class C.
According to DIN ISO 2768-2
Form and position: class L

LEDiL LediL Oy
Salorankatu 10
FIN 24240 SALO
Finland

THIRD ANGLE PROJECTION:

DRAWING TITLE
F15860_LINNEA-Z2T25

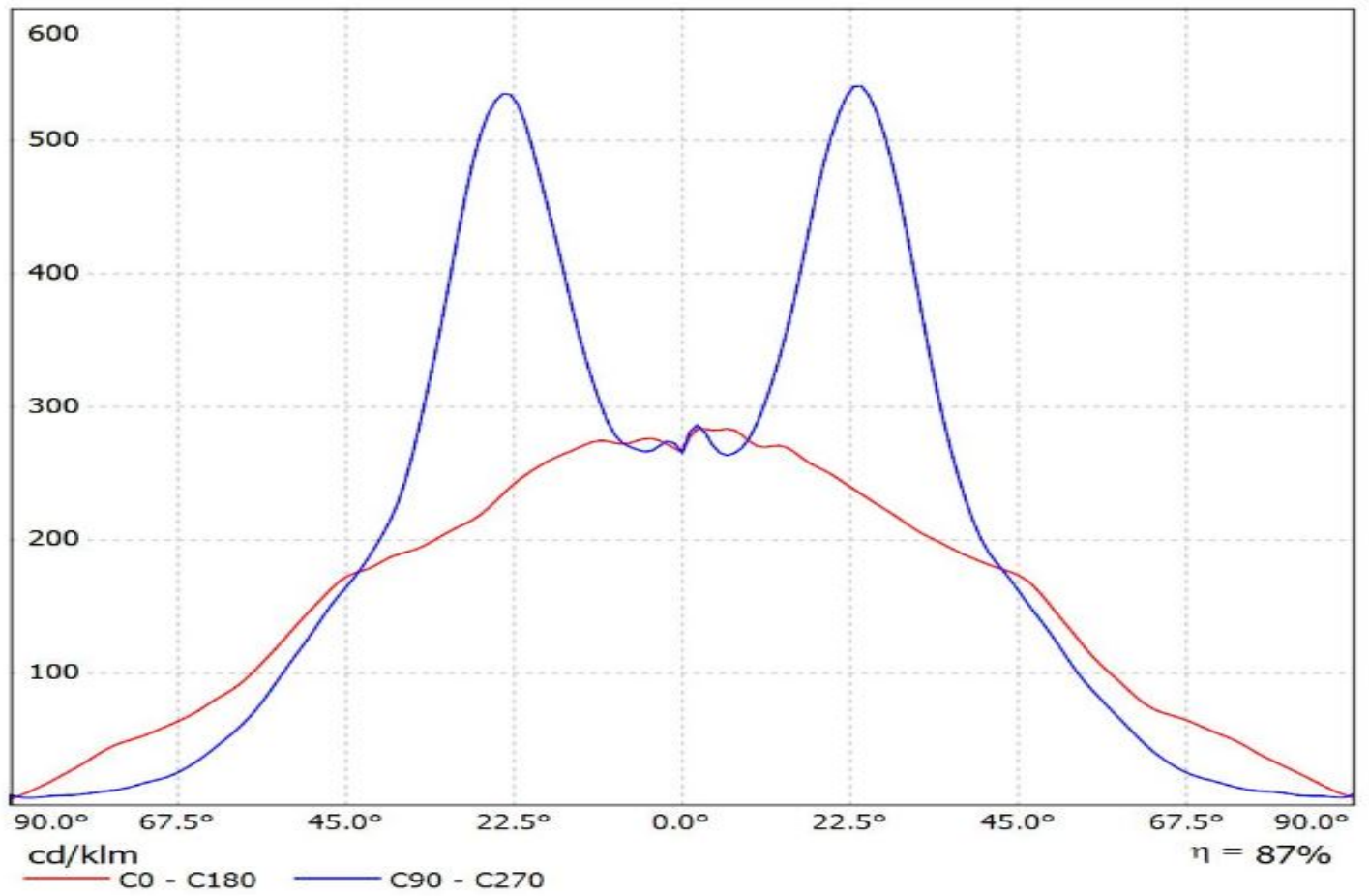
This drawing is the property of LEDiL Oy. It may not be reproduced, copied or communicated without a written agreement with LEDiL Oy.

SIZE	PART NUMBER
A3	F15860

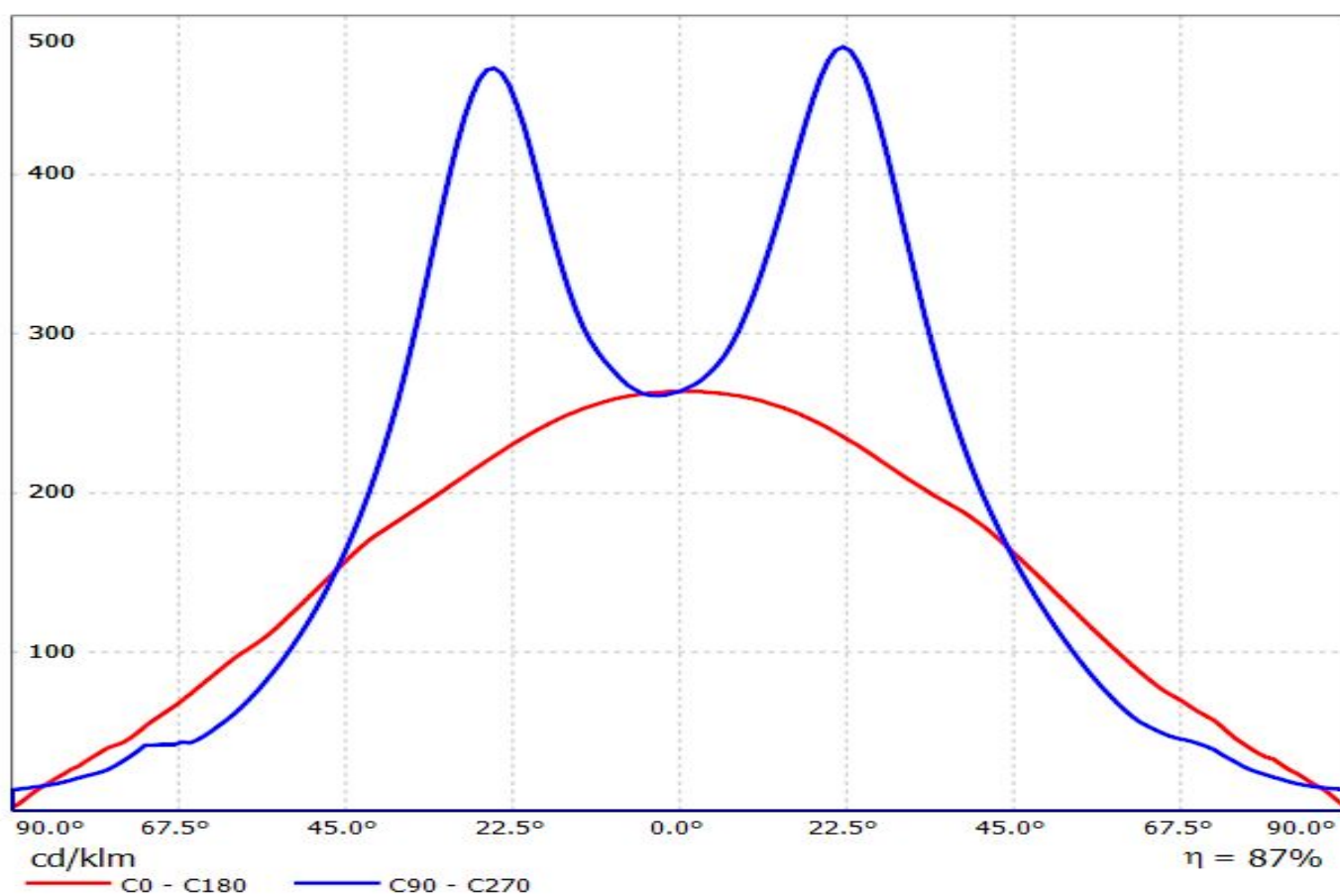
SCALE	1:2	WEIGHT	43,1g	SHEET	1/1
-------	-----	--------	-------	-------	-----

H G B A

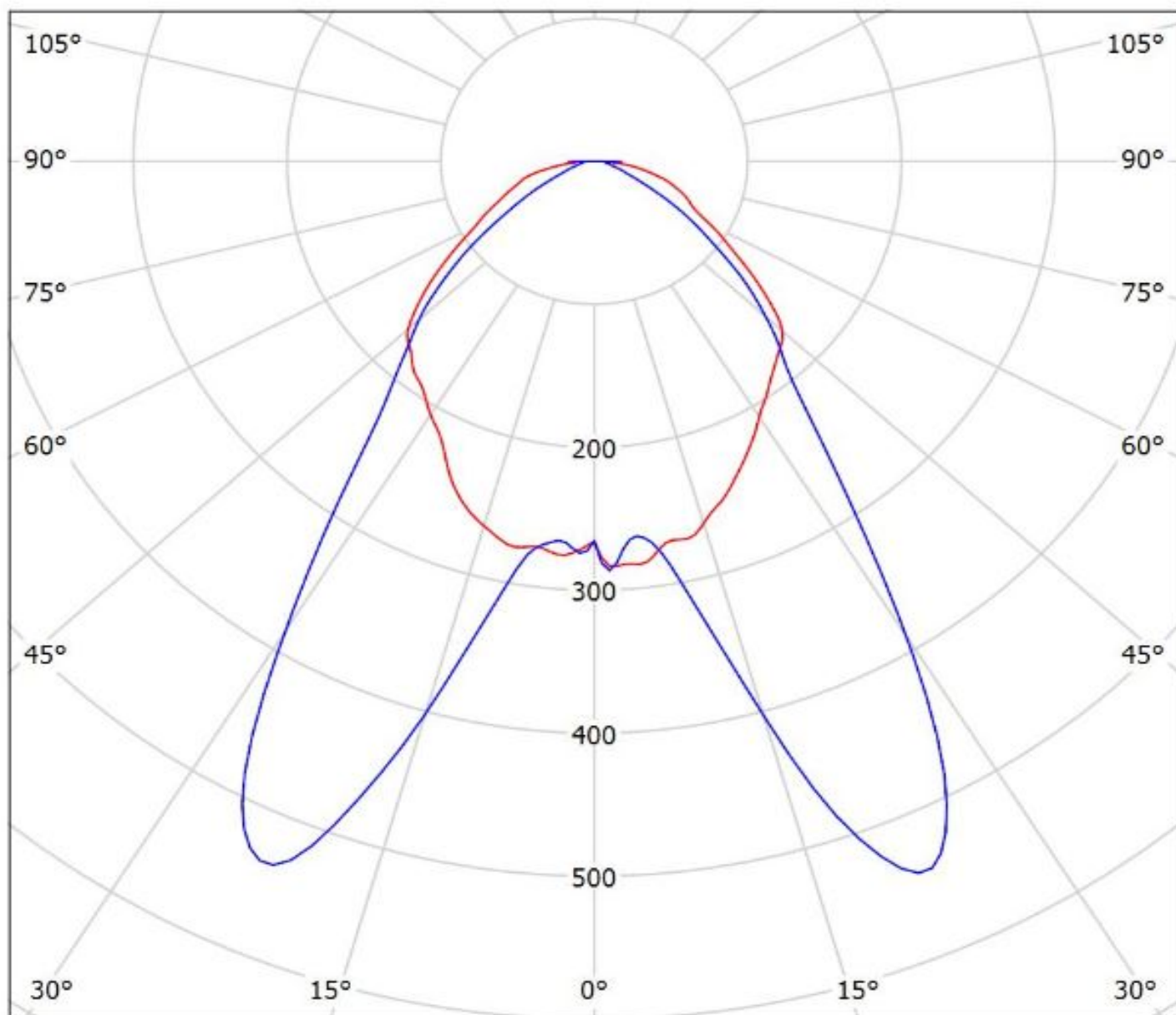
Luminaire: Ledil Oy F15860_LINNEA-Z2T25_(NF2W757GR-V1)_SIMULATED
Lamps: 1 x Nichia NF2W757GR-V1



Luminaire: Ledil F15860_LINNEA-Z2T25_(LM561B+)_Cav2
Lamps: 1 x Samsung_LM561B+_1370.96lm@250mA_P=9.12885W_I=0.25A



Luminaire: Ledil Oy F15860_LINNEA-Z2T25_(NF2W757GR-V1)_SIMULATED
Lamps: 1 x Nichia NF2W757GR-V1



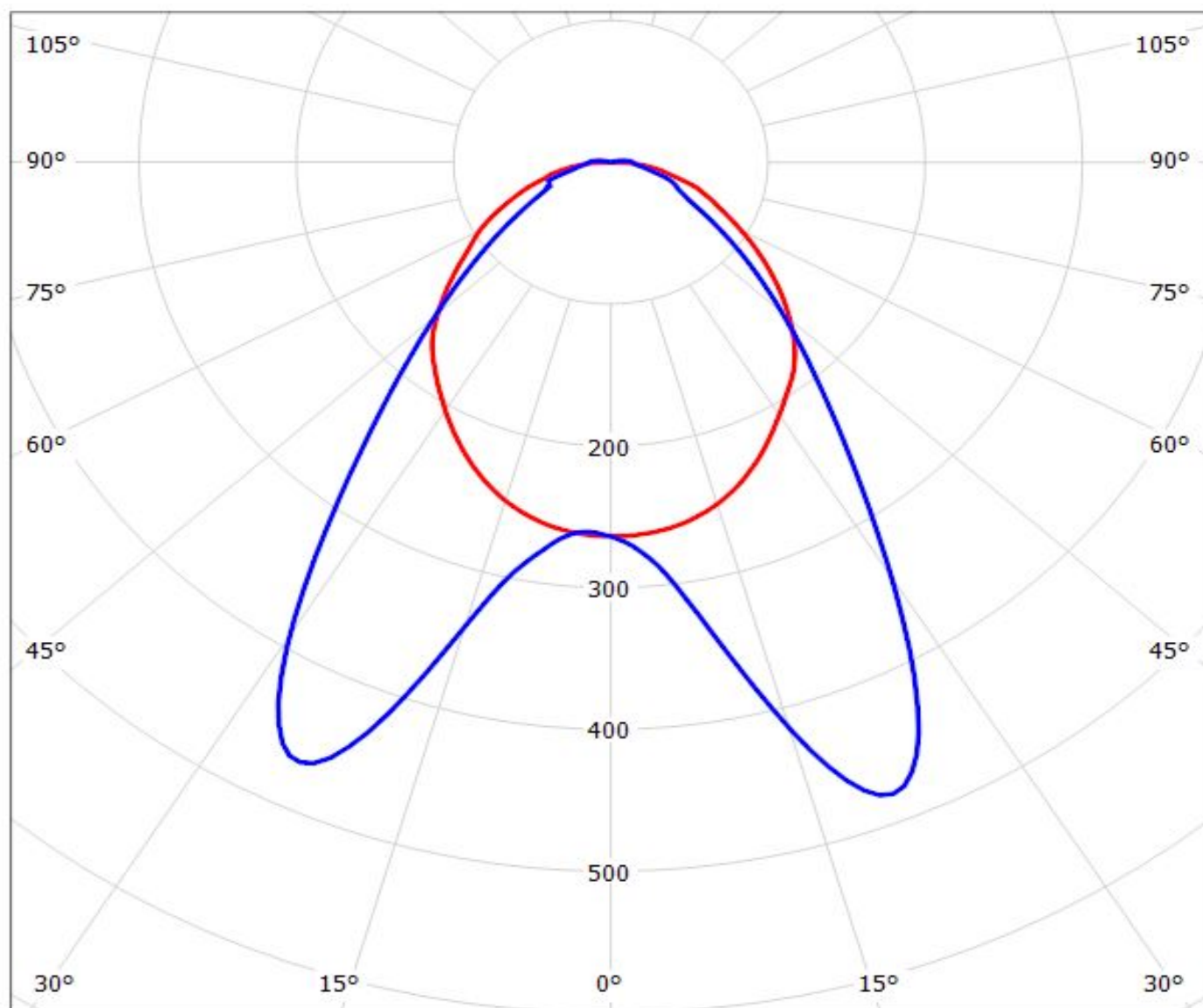
cd/klm

— C0 - C180 — C90 - C270

$\eta = 87\%$

Luminaire: Ledil F15860_LINNEA-Z2T25_(LM561B+)_Cav2

Lamps: 1 x Samsung_LM561B+_1370.96lm@250mA_P=9.12885W_I=0.25A



cd/klm

— C0 - C180

— C90 - C270

$\eta = 87\%$

NOTE: The typical divergence will be changed by different color, chip size and chip position tolerance. The typical total divergence is the full angle measured where the luminous intensity is half of the peak value.