

DETAILS

| | |
|------------------------|---------------------------|
| Product Number | F15684_FLORENCE-1R-GC-Z60 |
| Family | Florence |
| Type | Lens |
| Color | clear |
| Diameter | 19 x 282,6 mm |
| Height | 7,66 mm |
| Style | rectang |
| Optic Material | PMMA |
| Holder Material | |
| Fastening | screw |
| Status | production ready |
| ROHS Compliant | Yes |
| Date Updated | 22/03/2017 |

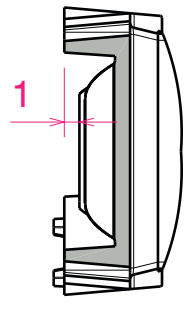
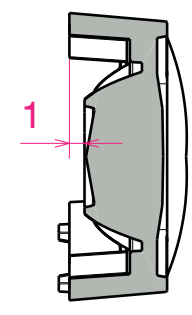
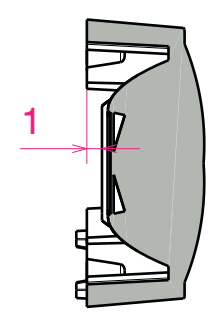
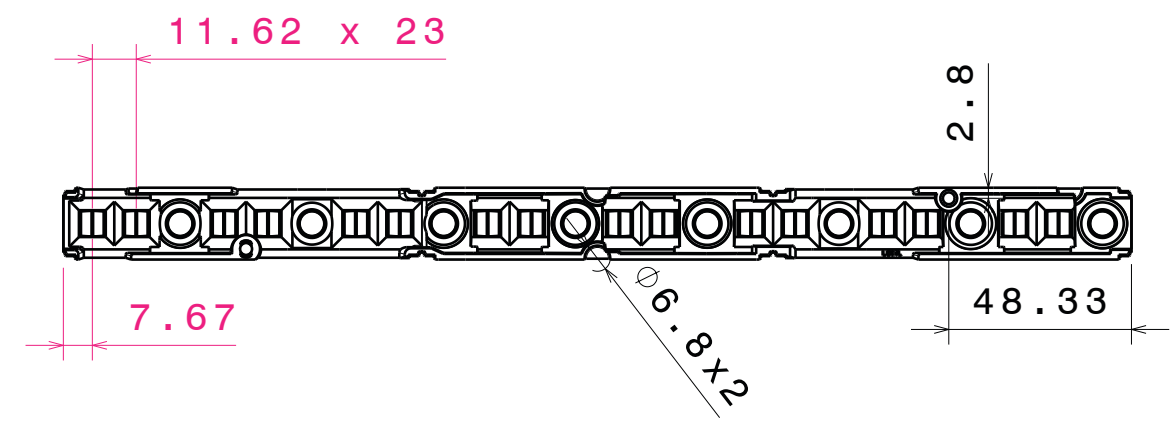
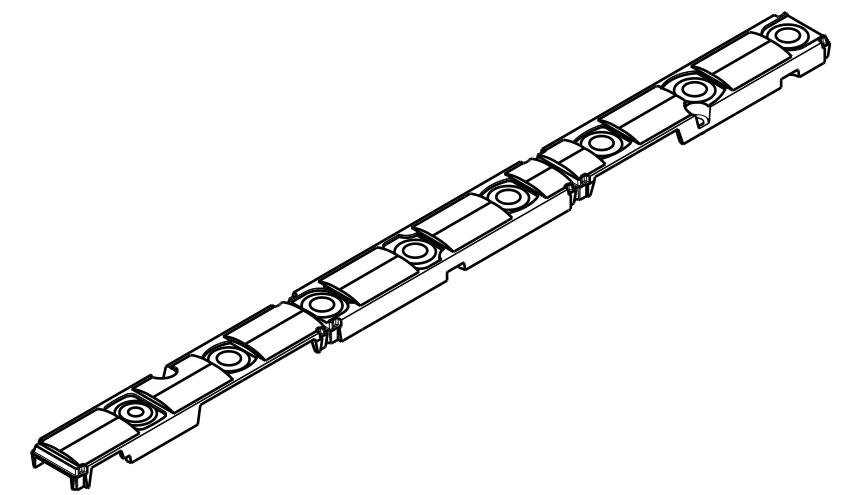
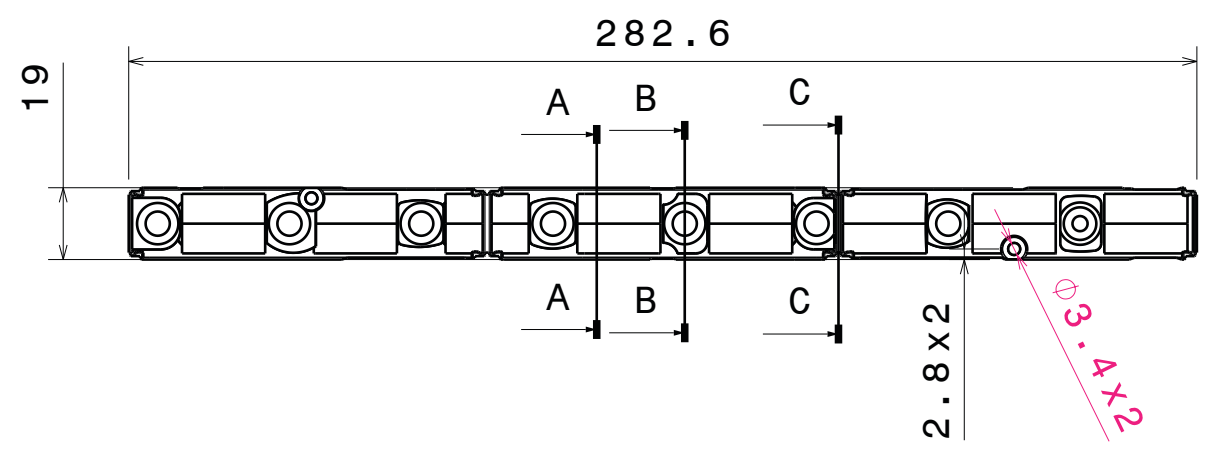


OPTICAL PROPERTIES

| LED | Viewing Angle | Light Beam | Efficiency | cd/lm | Connector |
|--------------|---------------|------------|------------|------------|-----------|
| Duris E 2835 | sim: 64 | WWW-class | sim: 94 % | sim: 0.710 | - |
| LT-S282N | 70 deg | WWW-class | 94 % | 0.720 | - |

H G F E D C B A

6.37
7.66



Section view A-A
Scale: 2:1

Section view B-B
Scale: 2:1

Section view C-C
Scale: 2:1

NOTE: Maximum recommended tightening torque is 0.6Nm

| INDEX | PART NO | DESCRIPTION | MATERIAL | COLOUR |
|-------|---------|--------------------|----------|--------|
| 1 | F15684 | FLORENCE-1R-GC-Z60 | PMMA 8N | |

Tolerances if not otherwise shown
According to DIN ISO 2768-1
Linear measures:
Up to 30mm class F, otherwise class M.
According to DIN ISO 2768-2
Form and position: class K
Control for SPC marked dimensions.

LEDiL LediL Oy
Salorankatu 10
FIN 24240 SALO
Finland

THIRD ANGLE PROJECTION:

DRAWING TITLE
F15684_FLORENCE-1R-GC-Z60

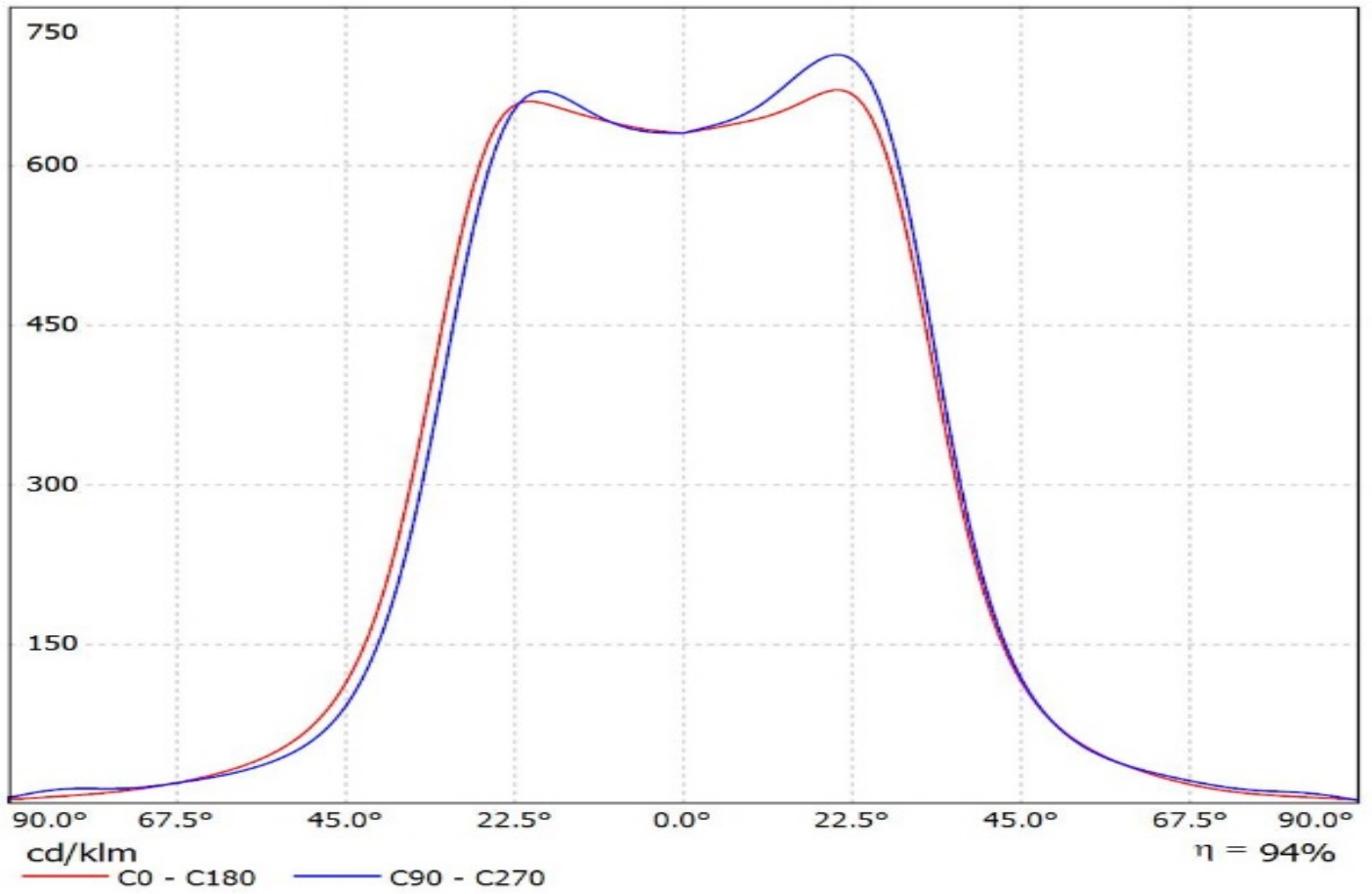
This drawing is the property of LEDiL Oy. It may not be reproduced, copied or communicated without a written agreement with LEDiL Oy.

| | |
|-----------|---------------|
| SIZE | PART NUMBER |
| A3 | F15684 |

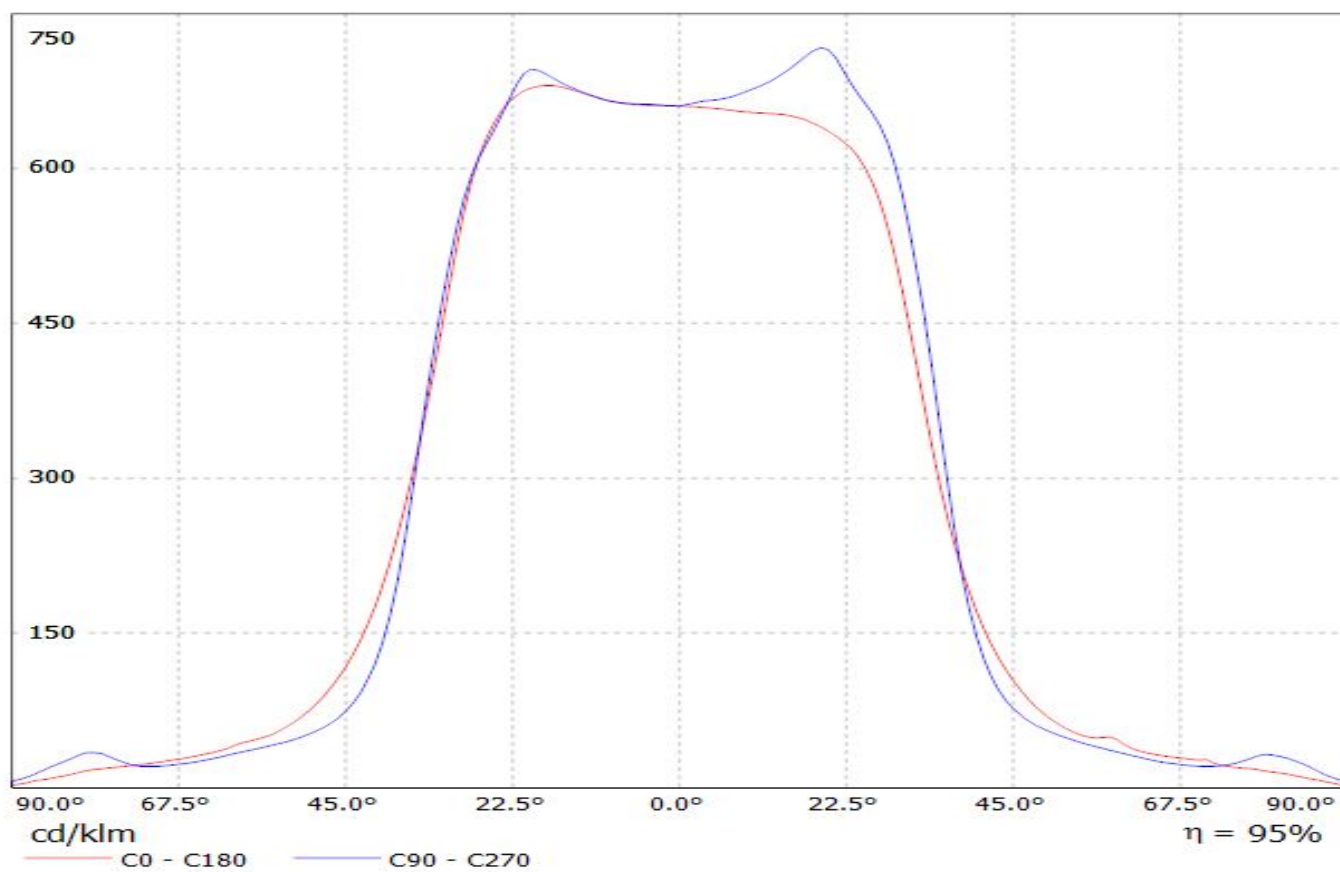
| | | | | | |
|-------|-----|--------|---|-------|-----|
| SCALE | 1:1 | WEIGHT | - | SHEET | 1/2 |
|-------|-----|--------|---|-------|-----|

H G B A

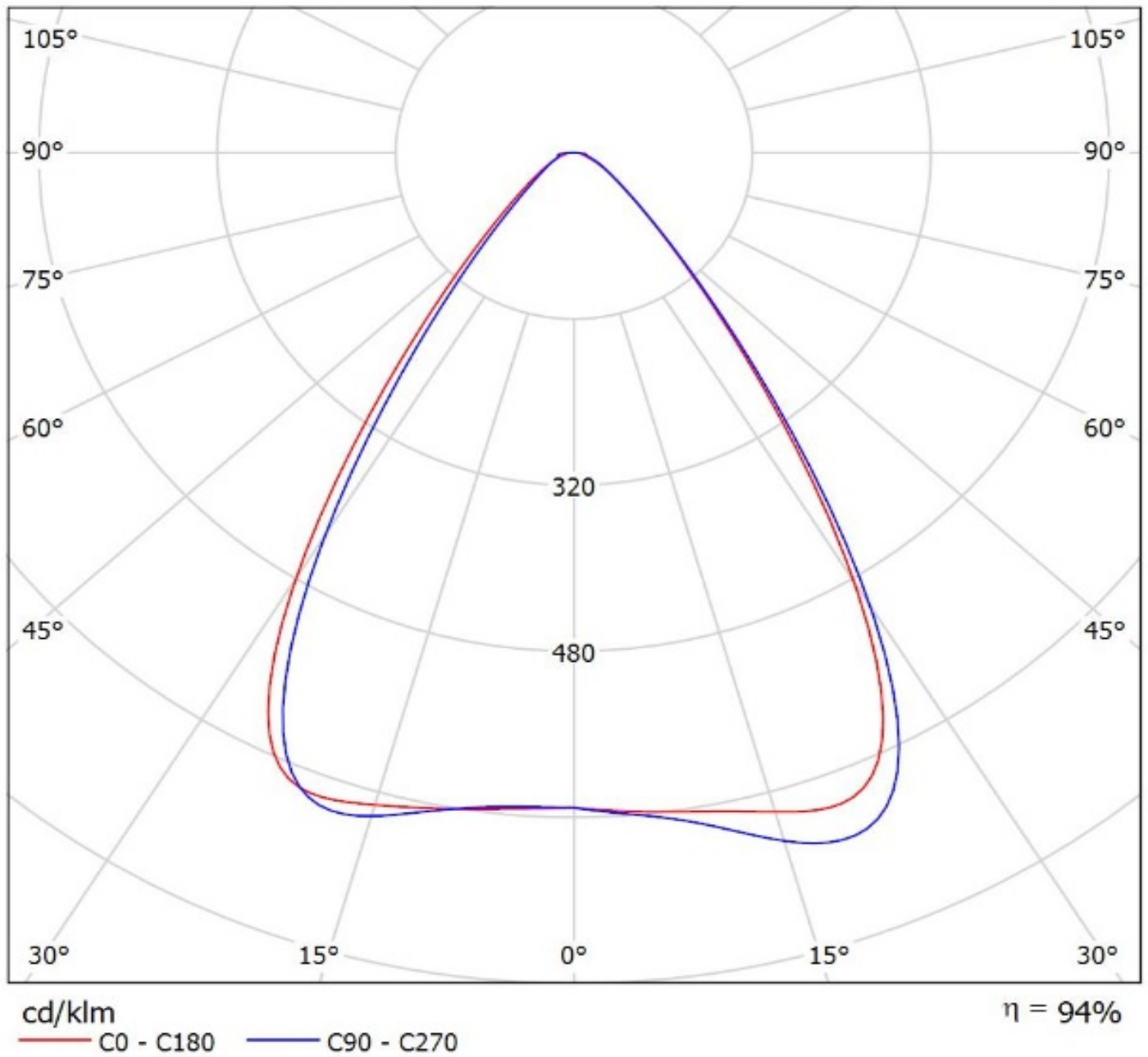
Luminaire: Ledil Oy F15684_FLORENCE-1R-GC-Z60_(Duris_E_2835)_SIMULATED
Lamps: 1 x Osram Duris E 2835 - GW JTLRS1.EM



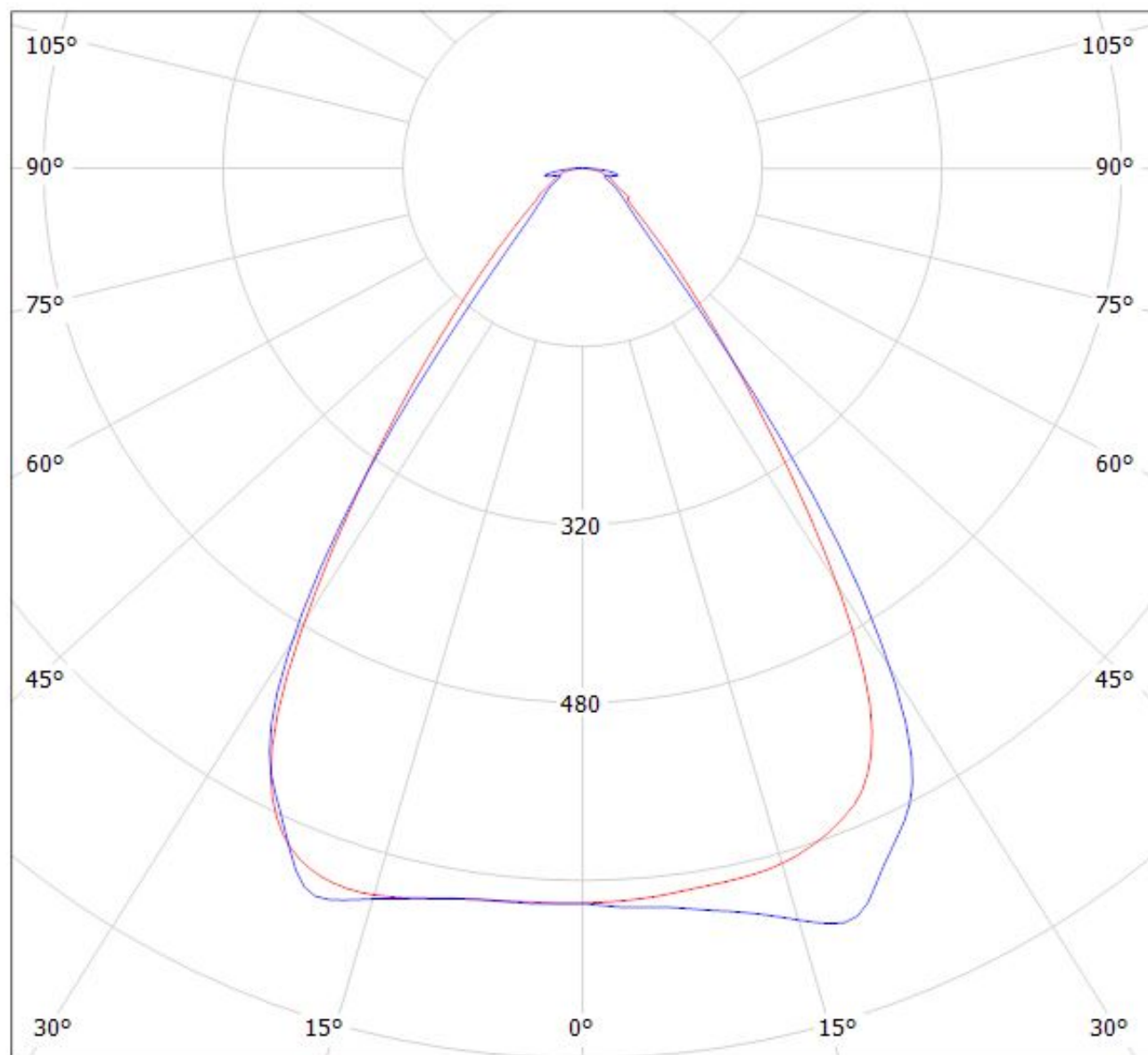
Luminaire: LEDiL Oy F15684_FLORENCE-1R-GC-Z60_(LT-S282N)
Lamps: 1 x Samsung_LT-S282N_1373.42lm@250mA_P=9.13843W_I=0.25A



Luminaire: Ledil Oy F15684_FLORENCE-1R-GC-Z60_(Duris_E_2835)_SIMULATED
Lamps: 1 x Osram Duris E 2835 - GW JTLRS1.EM



Luminaire: LEDiL Oy F15684_FLORENCE-1R-GC-Z60_(LT-S282N)
Lamps: 1 x Samsung_LT-S282N_1373.42lm@250mA_P=9.13843W_I=0.25A



cd/klm

— C0 - C180

— C90 - C270

$\eta = 95\%$

NOTE: The typical divergence will be changed by different color, chip size and chip position tolerance. The typical total divergence is the full angle measured where the luminous intensity is half of the peak value.