

## DETAILS

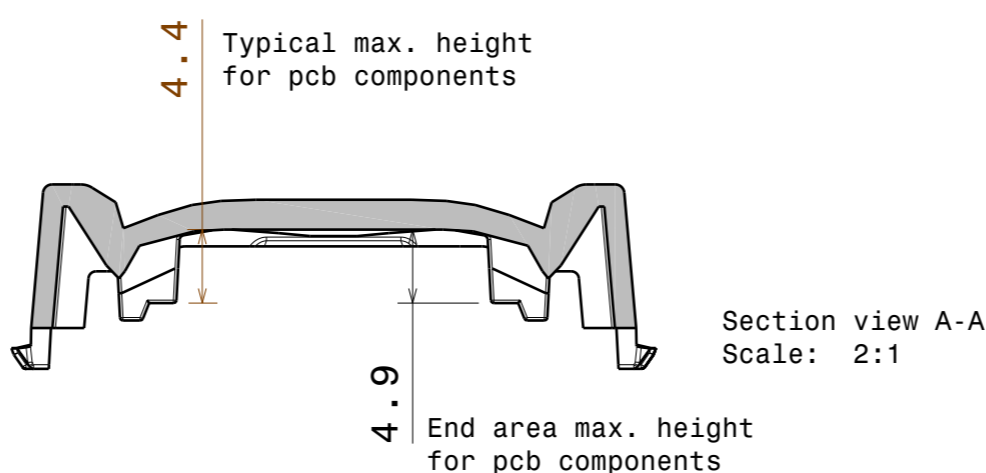
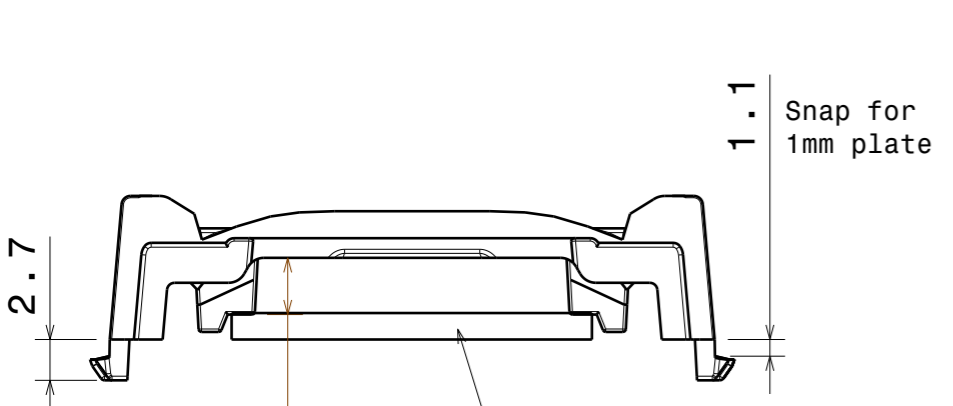
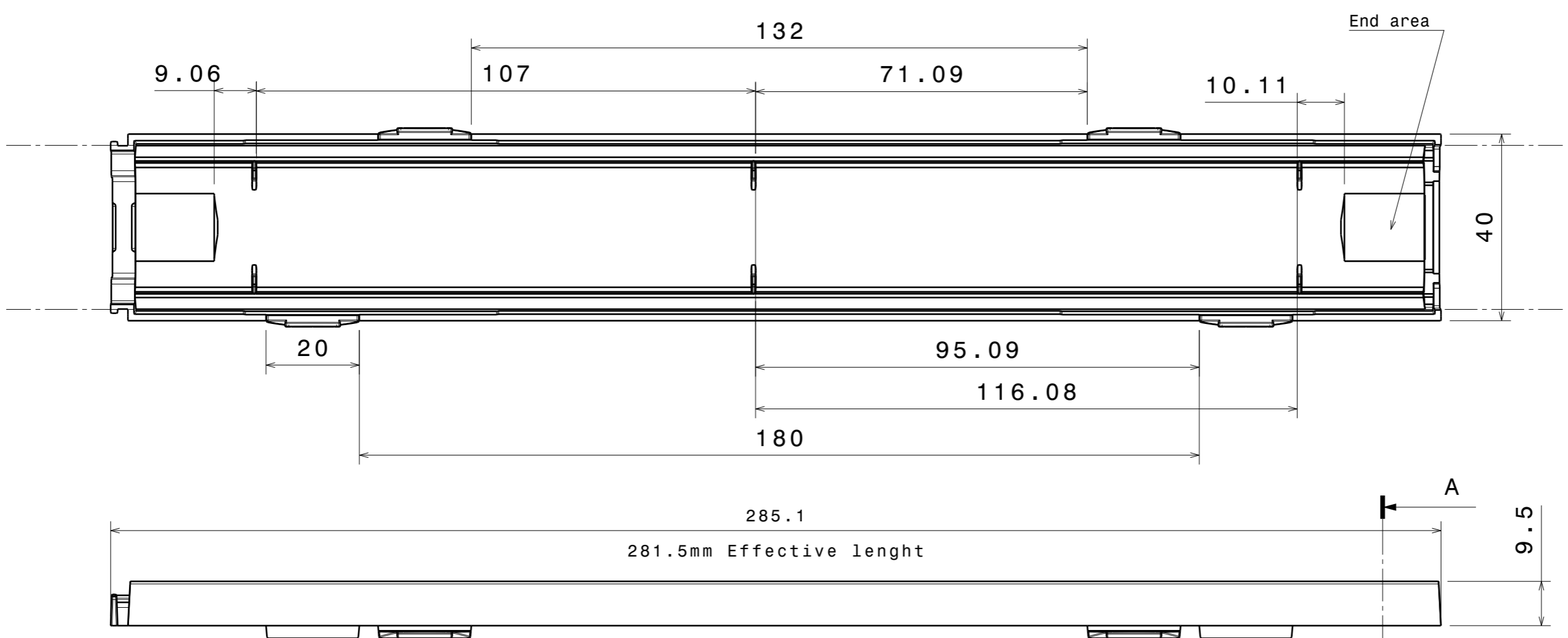
<b>Product Number</b>	F15523_LINNEA-90
<b>Family</b>	Linnea
<b>Type</b>	Lens
<b>Color</b>	clear
<b>Diameter</b>	285x40 mm
<b>Height</b>	9,5 mm
<b>Style</b>	rectang
<b>Optic Material</b>	PC
<b>Holder Material</b>	
<b>Fastening</b>	clips
<b>Status</b>	production ready
<b>ROHS Compliant</b>	Yes
<b>Date Updated</b>	11/04/2017



## OPTICAL PROPERTIES

LED	Viewing	Light	Effi-		Connector
	Angle	Beam	ciency	cd/lm	
NF2x757D	86+99 deg	Very Wide	-	0.480	-
Duris E 2835	sim: 83+91	Very Wide	sim: 82 %	sim: 0.430	-
LM561B Plus	88+100 deg	Very Wide	83 %	0.390	-

H G F E D C B A



3.7 Space for wire

INDEX	PART NO	DESCRIPTION	MATERIAL	COLOUR
1	F15523	LINNEA-90	PC	Clear

Tolerances if not otherwise shown  
According to DIN ISO 2768-1  
Linear measures:  
Up to 30mm class M, otherwise class C.  
According to DIN ISO 2768-2  
Form and position: class L

**LEDiL** LediL Oy  
Salorankatu 10  
FIN 24240 SALO  
Finland

FIRST ANGLE PROJECTION:

DRAWING TITLE  
**F15523\_LINNEA-90**

This drawing is the property of LEDiL Oy. It may not be reproduced, copied or communicated without a written agreement with LEDiL Oy.

SIZE	PART NUMBER		
<b>A3</b>	<b>F15523</b>		

SCALE	1:1	WEIGHT	33,4g	SHEET	1/2
-------	-----	--------	-------	-------	-----

H G B A

H G F E D C B A

4

4

3

3

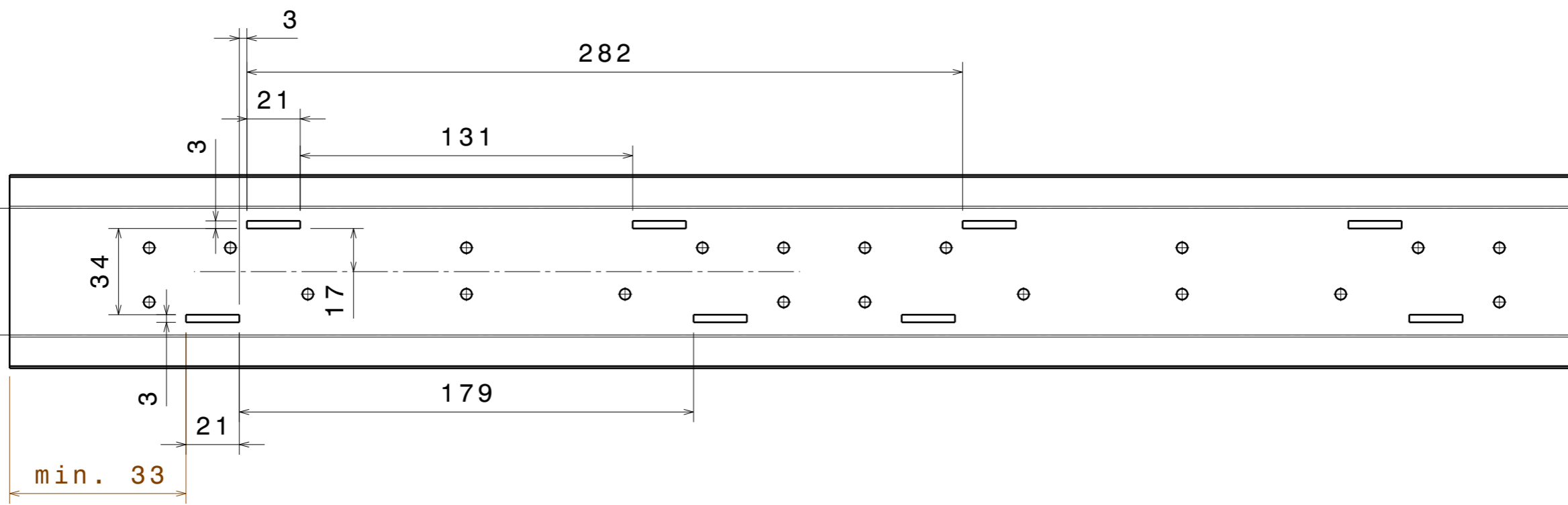
2


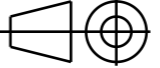
2

1

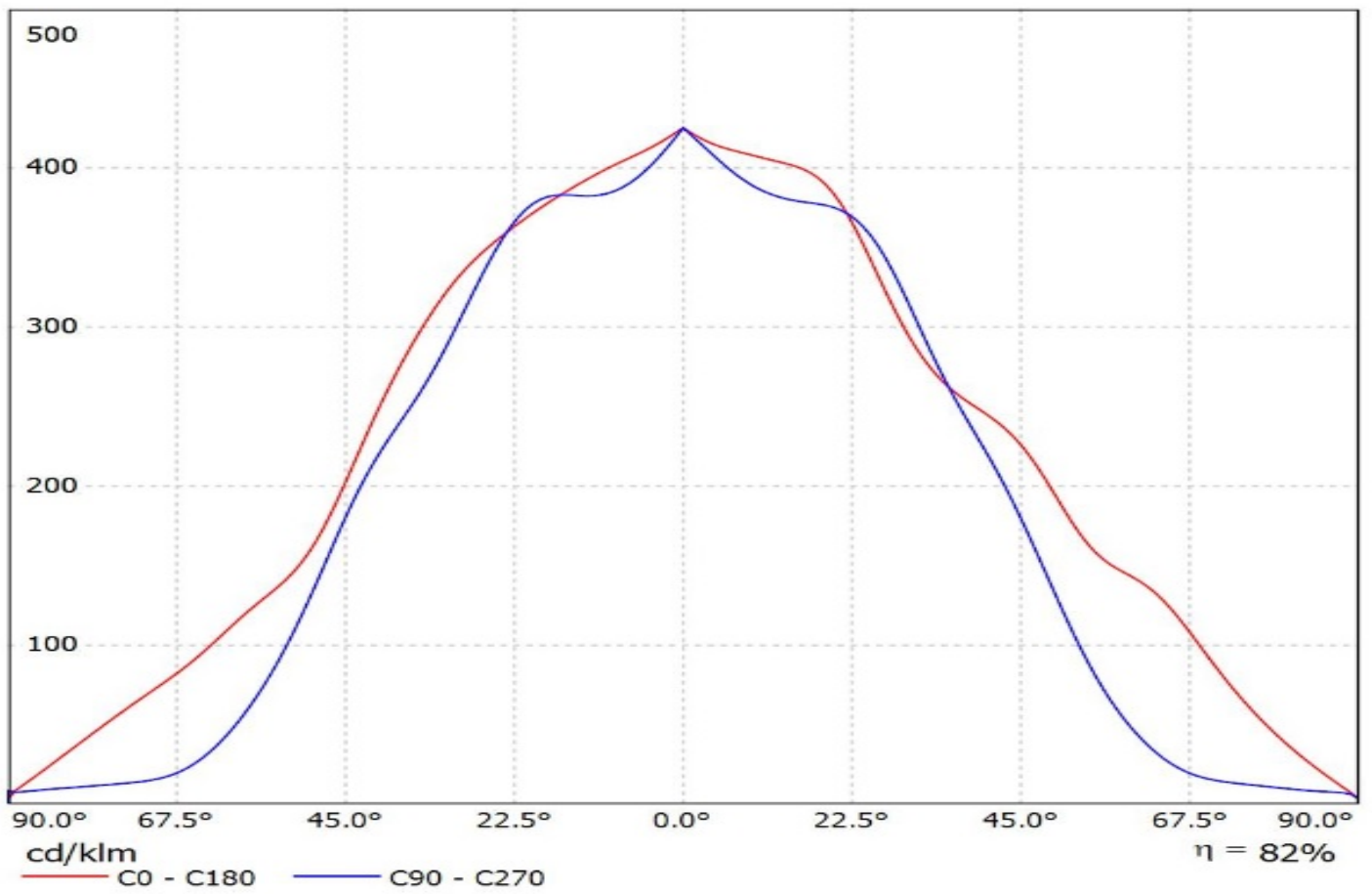
1

H G F E D C B A

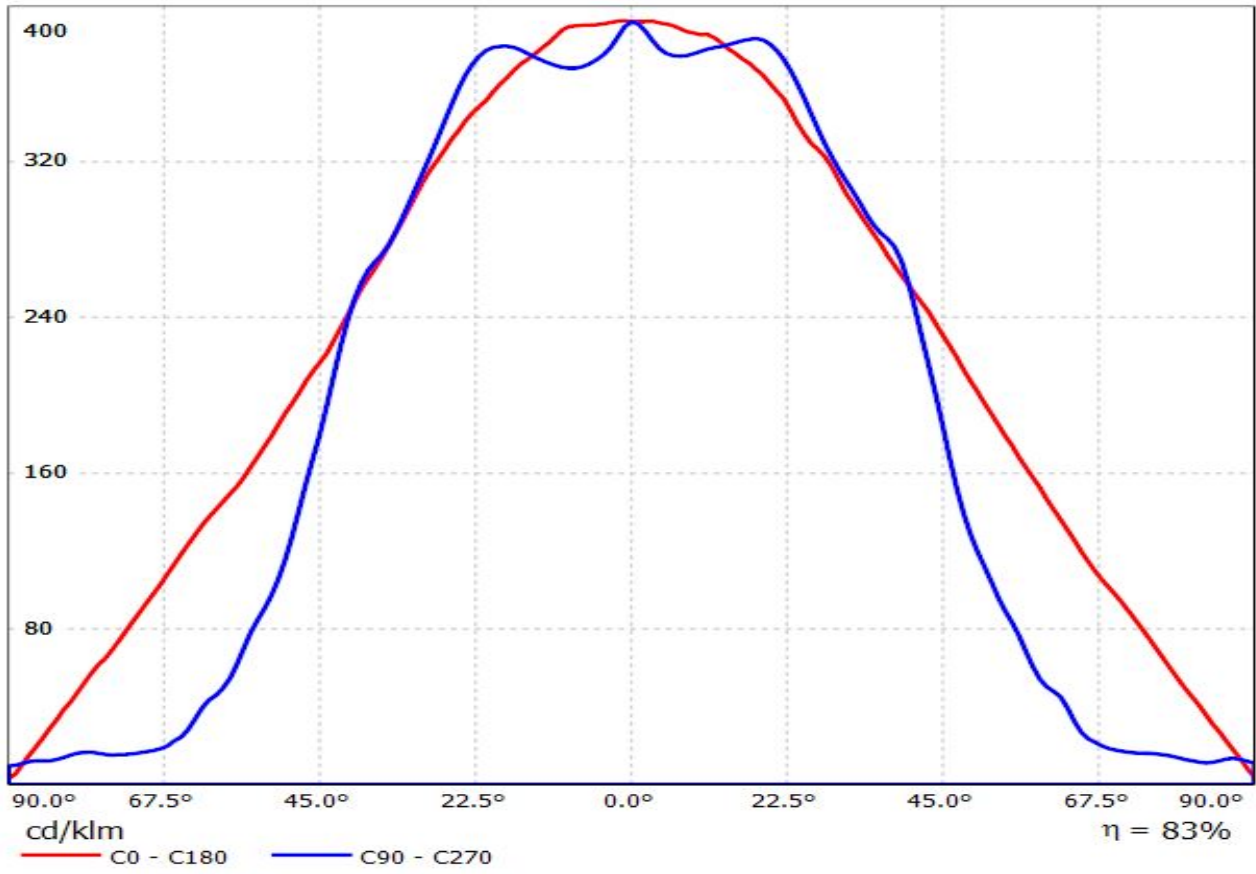


		 Ledil Oy Salorankatu 10 FIN 24240 SALO Finland	
FIRST ANGLE PROJECTION: 		DRAWING TITLE <b>LINNEA SHEETMETAL CUT OUT</b>	
This drawing is the property of LEDiL Oy. It may not be reproduced, copied or communicated without a written agreement with LEDiL Oy.		SIZE <b>A3</b>	PART NUMBER -
		SCALE 1:2	WEIGHT -
		SHEET 2/2	

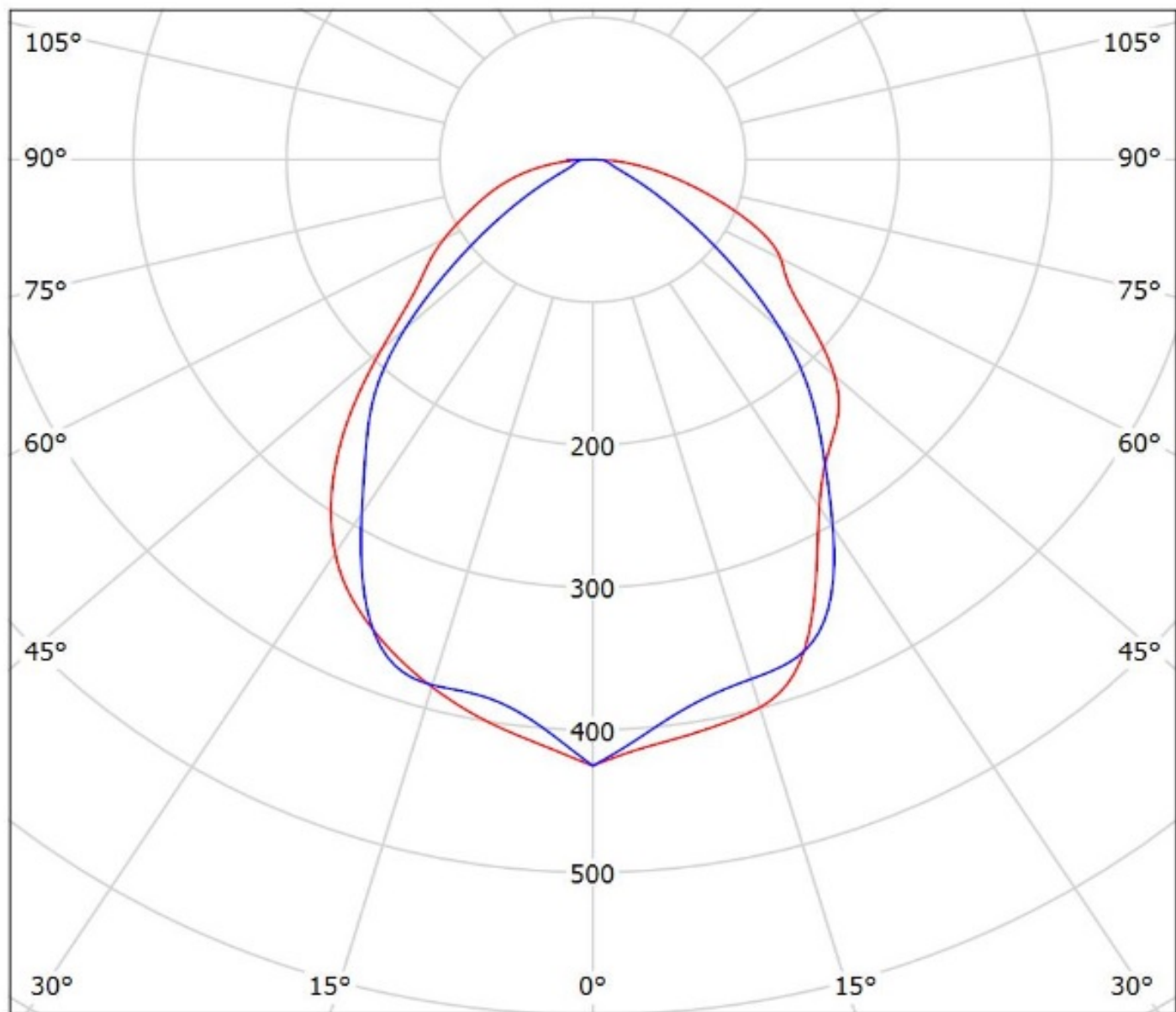
Luminaire: Ledil Oy F15523\_LINNEA-90\_(Duris\_E\_2835)\_SIMULATED  
Lamps: 1 x Osram Duris E 2835 - GW JTLRS1.EM



Luminaire: Ledil F15523\_LINNEA-90\_(LM561B+)  
Lamps: 1 x Samsung\_LM561B+\_1417.99lm@250mA\_P=9.152W\_I=0.25A



Luminaire: Ledil Oy F15523\_LINNEA-90\_(Duris\_E\_2835)\_SIMULATED  
Lamps: 1 x Osram Duris E 2835 - GW JTLRS1.EM



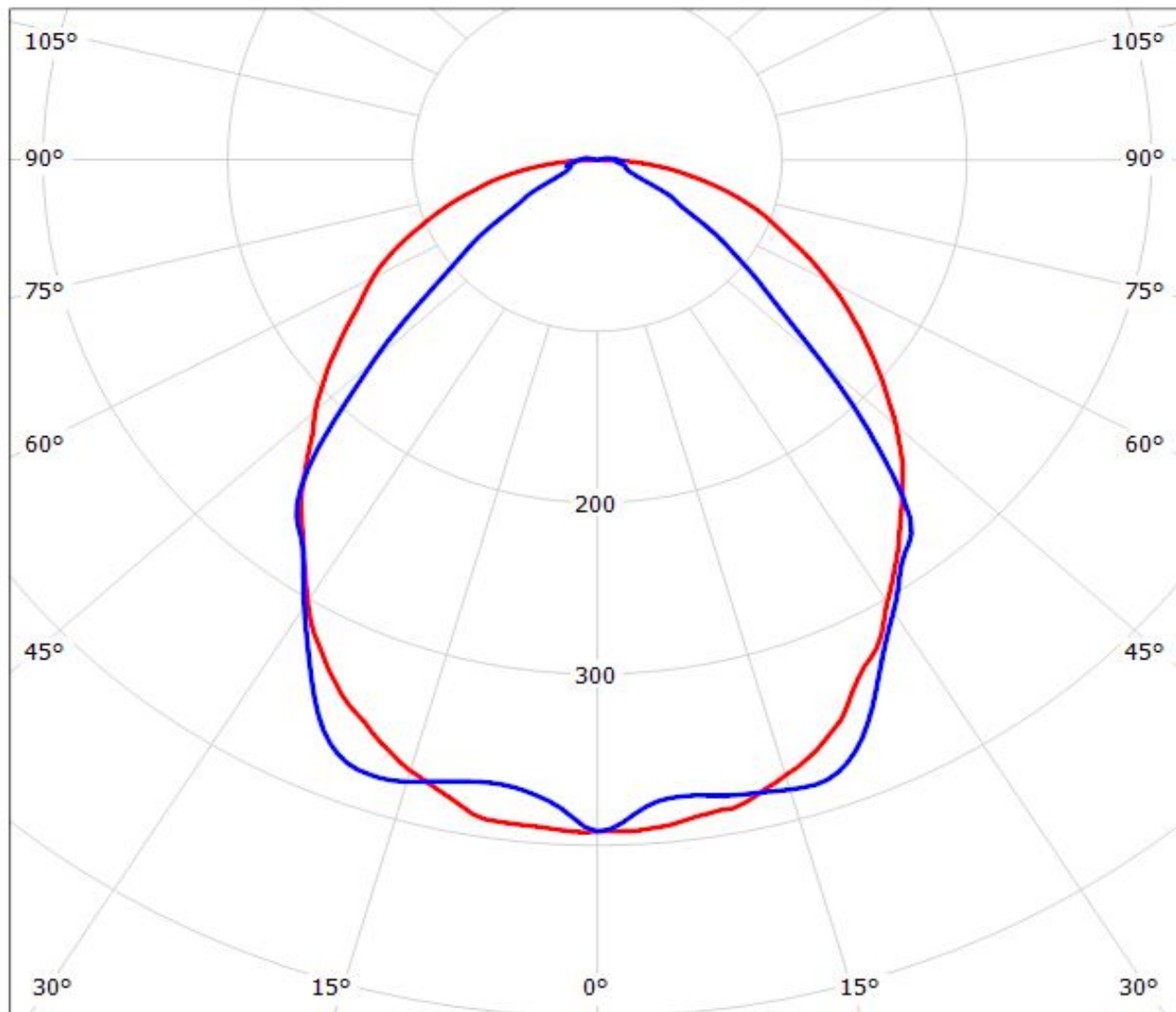
cd/klm

— C0 - C180 — C90 - C270

$\eta = 82\%$

Luminaire: Ledil F15523\_LINNEA-90\_(LM561B+)

Lamps: 1 x Samsung\_LM561B+\_1417.99lm@250mA\_P=9.152W\_I=0.25A



cd/klm

$\eta = 83\%$

— C0 - C180    — C90 - C270

**NOTE: The typical divergence will be changed by different color, chip size and chip position tolerance. The typical total divergence is the full angle measured where the luminous intensity is half of the peak value.**